

# Bath stand

MODEL# S9

with shelf

## INSTRUCTIONS



\*Bath and accessories not included



P.O. Box 487, Emu Plains NSW 2750  
Service No: 02 4728 8090

**IMPORTANT:** Please read instructions carefully. Keep these instructions for future reference.

# OPERATING INSTRUCTIONS

**Product must be assembled by an adult (small parts included).**

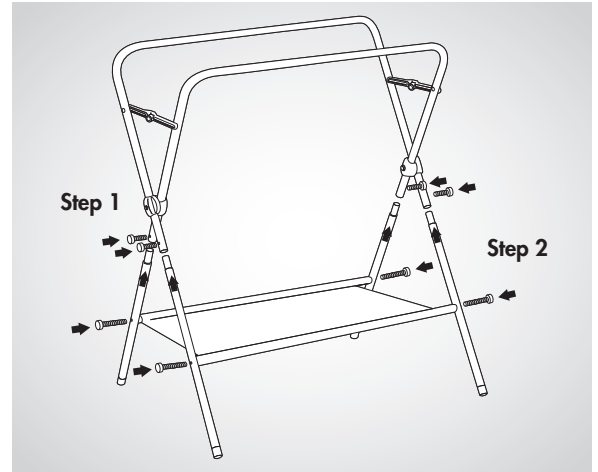
## Step 1

Place each leg into position and secure with small screws supplied (see arrows at step 1).

## Step 2

With the longer screws secure shelf tubes to the lower leg tubes (see arrows at step 2).

**Please note, screws are not to scale**



## Infasecure Warranty Details

Infasecure Pty Ltd warrants this product for twelve months from the date of purchase against failure due to manufacturing faults or faulty materials. Misuse, accidental damages, normal wear and tear are not covered by this warranty.

When used for commercial use the period is limited to six months.

“Our goods come with guarantees that cannot be excluded under the Australian Consumer Law. You are entitled to a replacement or refund for a major failure and for compensation for any other reasonably foreseeable loss or damage. You are also entitled to have the goods repaired or replaced if the goods fail to be of acceptable quality and the failure does not amount to a major failure.”

## SAFETY WARNINGS

Never move bath whilst filled with water or occupied by child.

Always use on safe, level surfaces.

Never leave child without adult attendance during bathing.

You must always be within arms reach of baby.

Do not modify bath stand for any other purposes as this may cause injury to child and void the product warranty.

Never allow children to climb or play on unit especially when baby is being bathed.

Do not leave outside for long periods as this may damage or corrode parts and void the product warranty

Do not use hard cleaning agents (i.e. bleach) on material as this may cause damage. Warm water with mild soap only is recommended.

Only use a bath that is a stable firm fit. A #B3 Infasecure ‘Easi-Drain Bath’ is recommended.

When storing bath stand, ensure it is correctly folded and stored in a safe place.

If at all damaged or faulty, do not use. Phone the Infasecure Customer Service Centre.

### INFASECURE PTY LTD

ABN: 52 149 173 660

#### Head Office and Registered Address

110-114 Old Bathurst Rd, Emu Plains, NSW 2750  
P.O. Box 487, Emu Plains, NSW 2750

Phone No : 02 4728 8080

Fax : 02 4728 8040

#### Customer Service

Phone No : 02 4728 8090



[www.infasecure.com.au](http://www.infasecure.com.au)